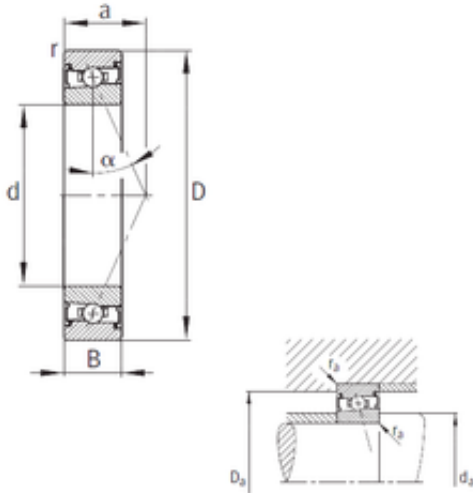




## Precision accessories MFG.CORP



HSS71916-E-T-P4S Bearing 2D drawings and 3D CAD models

### HSS71916-E-T-P4S FAG high precision bearings

Bearing No. HSS71916-E-T-P4S

Size	80x110x16 mm
Bore Diameter	80 mm
Outer Diameter	110 mm
Width	16 mm
d	80 mm
D	110 mm
B	16 mm
C	16 mm
Angle ( ° )	25 °
a	30 mm
r min.	1 mm
Da	104 mm
ra max.	0,6 mm
da	86 mm
Weight	0,385 Kg
Basic dynamic load rating (C)	19 600 kN
Basic static load rating (C0)	22 400 kN
(Grease) Lubrication Speed	13 000 r/min
Size	80x110x16 mm
Bore Diameter	80 mm
Outer Diameter	110 mm
Width	16 mm
d	80 mm
D	110 mm
B	16 mm



## Precision accessories MFG.CORP

a	30 mm
$D_a$	104 mm / Tolerance: H12
$d_a$	86 mm / Tolerance: h12
$r_{a\ max}$	0,6 mm
$r_{\min}$	1 mm
	25 ° / Angle
m	0,434 kg / Weight
$C_r$	19200 N / Dynamic load rating (radial)
$C_{0r}$	14600 N / Static load rating (radial)
$n_{G\ Fett}$	15000 1/min / Limiting speed for grease lubrication