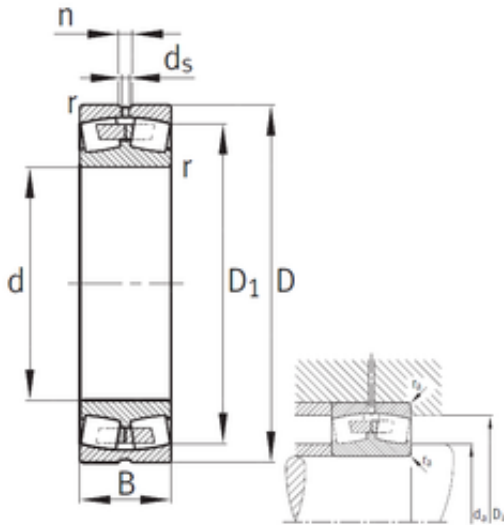




Precision accessories MFG.CORP



420 mm x 620 mm x 150 mm FAG 23084-B-MB Spherical Roller Bearings

Bearing No. 23084-B-MB

Size	420x620x150 mm
Bore Diameter	420 mm
Outer Diameter	620 mm
Width	150 mm
d	420 mm
D	620 mm
B	150 mm
C	150 mm
n	23,5 mm
r min.	5 mm
D1	560,7 mm
da min.	438 mm
Da max.	602 mm
ra max.	4 mm
d5	12,5 r/min
Weight	162 Kg
Basic dynamic load rating (C)	3150 kN
Basic static load rating (C0)	6550 kN
Fatigue load limit (Pu)	395
Reference speed	640 r/min
Limiting speed	800 r/min
Calculation factor (e)	0,24
Calculation factor (Y0)	2,78
Calculation factor (Y1)	2,84

23084-B-MB Bearing 2D drawings and 3D CAD models